

LIVING DISTRICT

Collection:Juniper

Installation manual for:

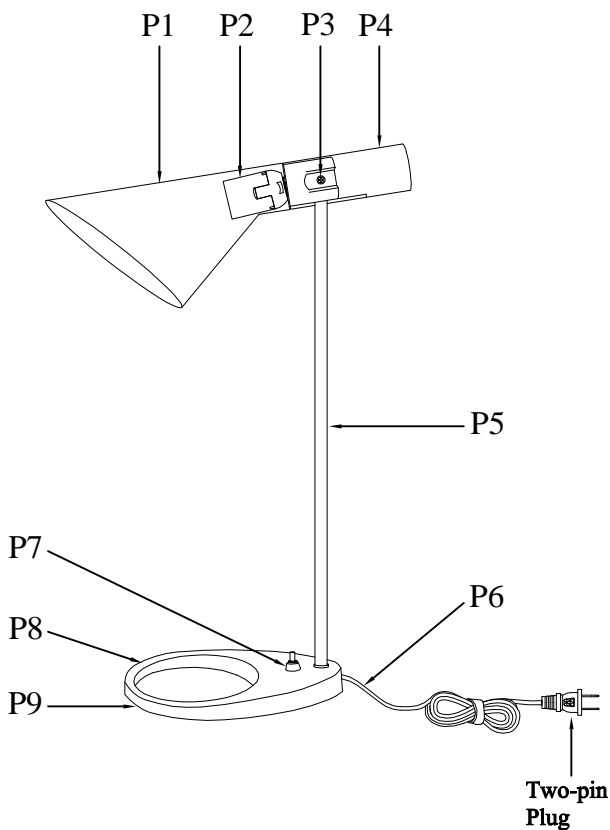
LD2364 L13. 7"W6. 1"H20. 3"L1

Installation instructions:

- 1.Install the Shade Cover(P4) after tightening the Screws(P3).
- 2.Place the lamp body assembly on a level surface.
- 3.Install the bulb(bulb not included) into the lampholder(P2).
- 4.Plug in the power and turn on the on/off switch(P7).

The end!

PARTS LIST



part	picture	Description	Qty	Check list
P1		ø6.1"Lampshade	1	
P2		E26 Lampholder	1	
P3		M4 Screw	2	
P4		ø1.8"Shade Cover	1	
P5		L18.5" Metal Rod	1	
P6		Power cord with plug 96"	1	
P7		on/off switch	1	
P8		ø8.5" Metal Base	1	
P9		ø8.5" Paster	1	