

Type:

Model:



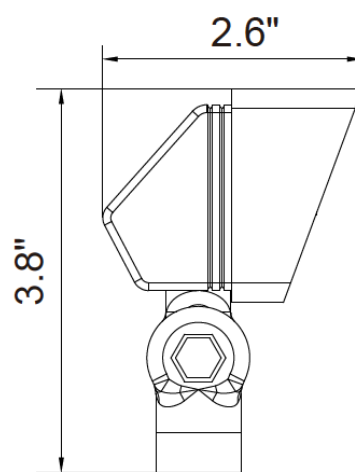
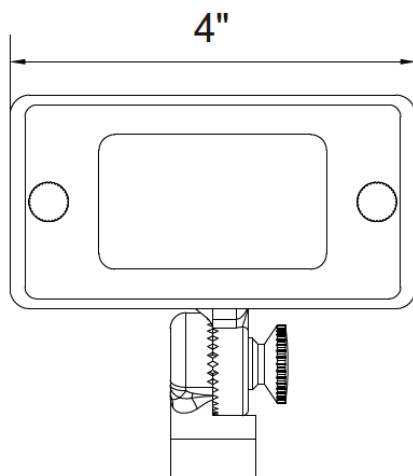
TACOMA

Brass Integrated Wall Washer

- 9-15V
- 1.5-5W adjustable
- Cast brass housing with Antique Bronze finish
- Anti-Moisture Connections
- 60" 18AWG wire lead
- IP65 and ETL rated
- 7 year warranty

Product #	Color Temp.	Lumens	Wattage	Beam Spread	CRI
954048-2700K	2700K	100-500 lm	1.5-5W	140°	85
954048-3000K	3000K	100-500 lm	1.5-5W	140°	85

DIMENSIONS



IP65